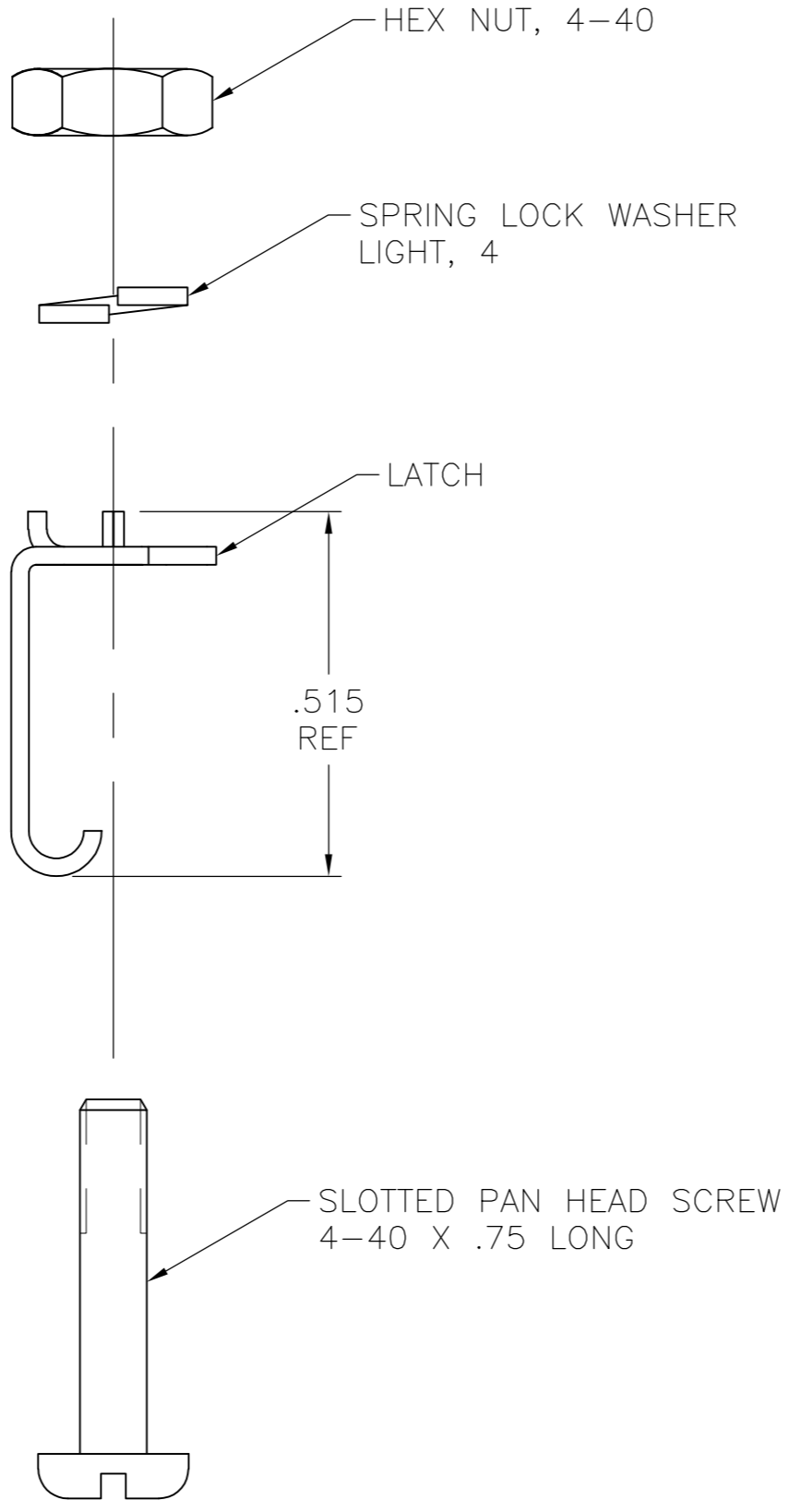
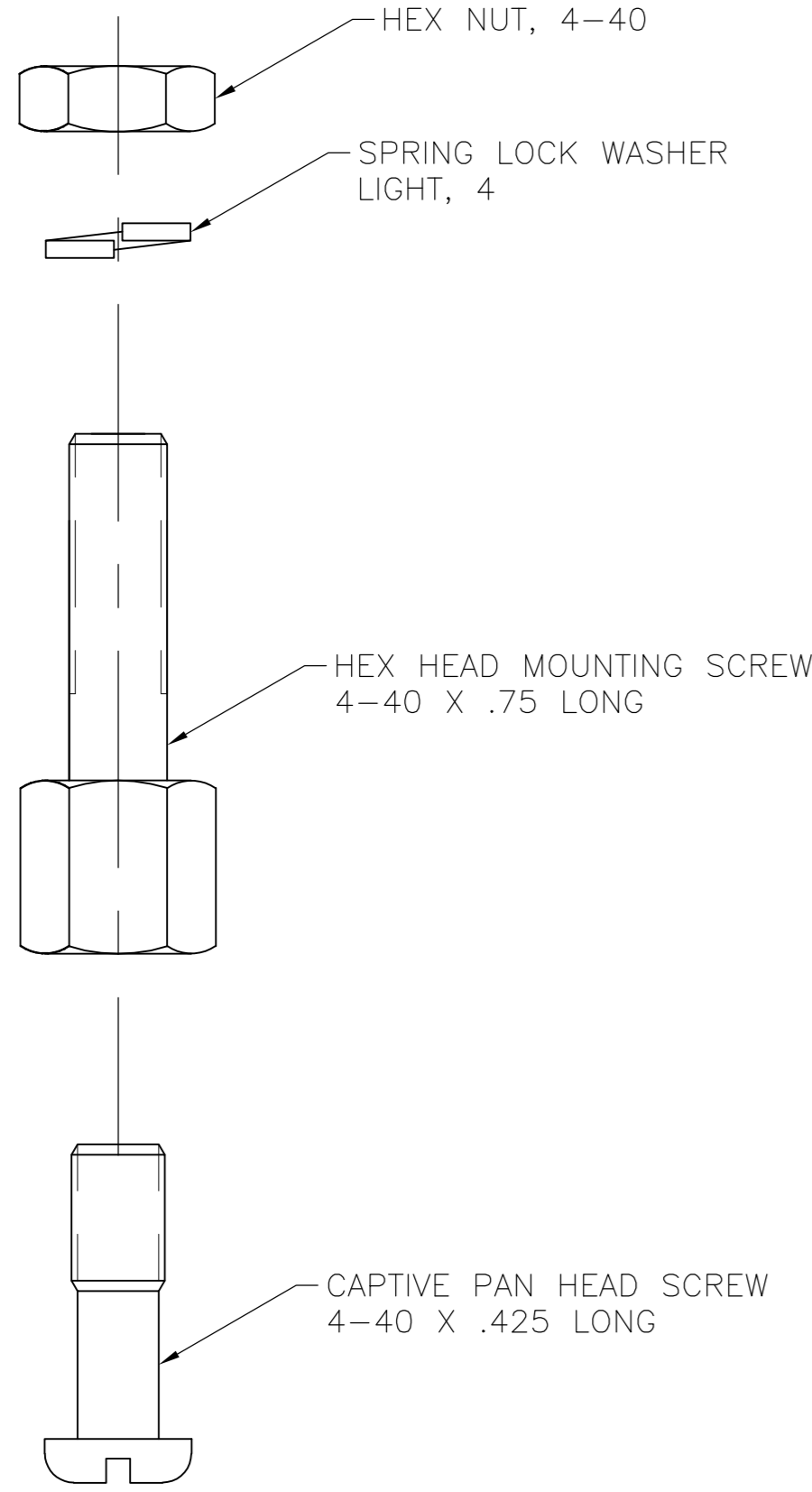


THIS DRAWING IS UNPUBLISHED. RELEASED FOR PUBLICATION
 © COPYRIGHT - By - ALL RIGHTS RESERVED.

LOC	DIST	REVISIONS			
P	LTR	DESCRIPTION	DATE	DWN	APVD
GP	00				
	A	REVISED PER ECO-13-000050	09JAN2013	CJV	PAR

1 MATERIAL:
 CAPTIVE PAN HEAD SCREW: ZINC PLATED STEEL.
 HEX HEAD SCREW: BRASS WITH NICKEL PLATE.
 ALL OTHER HARDWARE: PASSIVATED STAINLESS STEEL.



5552690-1
 PART NUMBER

THIS DRAWING IS A CONTROLLED DOCUMENT. DIMENSIONING AND TOLERANCING PER ASME Y14.5M-2009		DWN B. MCMASTER 30SEP05			NAME	
DIMENSIONS: INCHES		CHK W. MILLHIMES 30SEP05			HARDWARE KIT, VERTICAL MOUNTING CHAMP	
TOLERANCES UNLESS OTHERWISE SPECIFIED:		APVD W. MILLHIMES 30SEP05	SIZE	CAGE CODE	DRAWING NO	
0 PLC ± -		PRODUCT SPEC	A2 00779		C=5552690	
1 PLC ± -		APPLICATION SPEC	SCALE 4:1		SHEET 1 of 1	REV A
2 PLC ± -		WEIGHT -	CUSTOMER DRAWING			
3 PLC ± -						
4 PLC ± -						
ANGLES ± -						
FINISH 1						